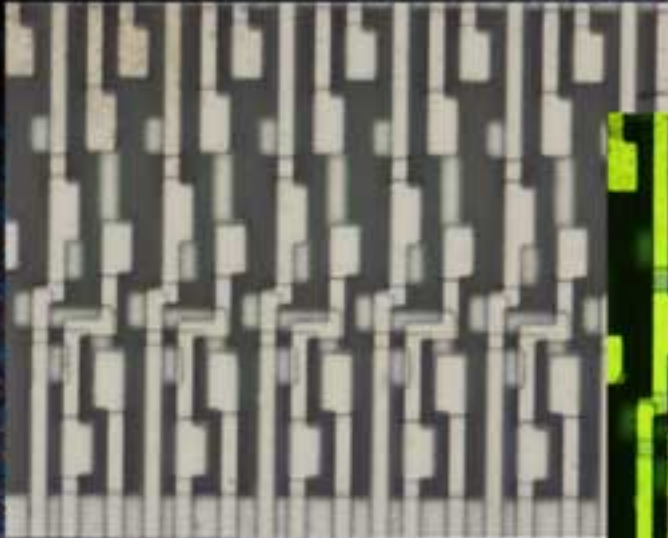


THE PICTURE OF CLARITY

*New, cost-efficient disk scan confocal tube provides
confocal images with high contrast and high resolution*



Top layer circuit
General observation, brightfield mode
UMPlanFI100XBD



Top layer circuit
Confocal mode (CF1)
UMPlanFI100XBD



MX50 configuration



BX51RF configuration

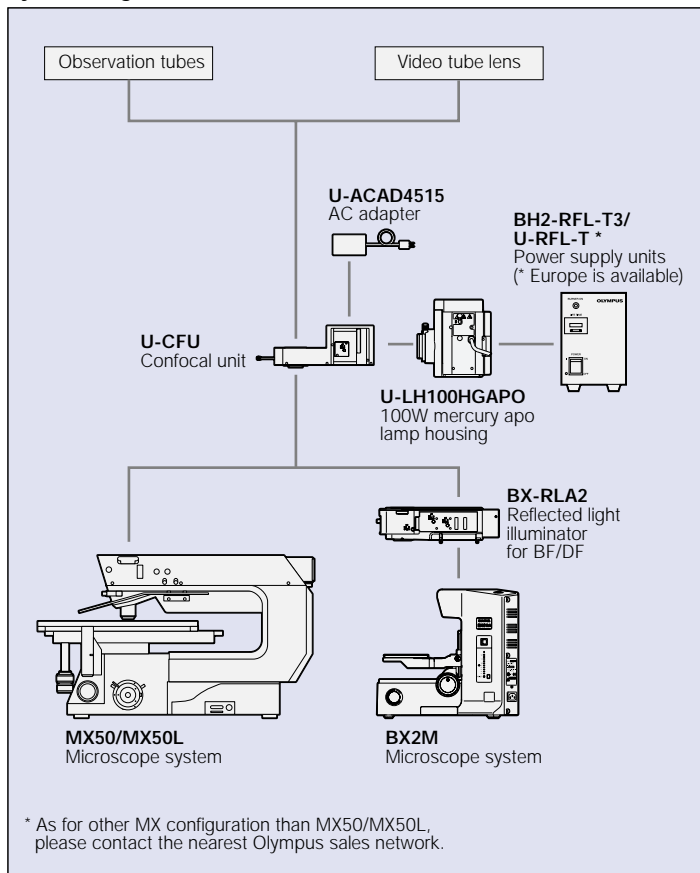
Features

- Confocal images with high contrast and high resolution can be observed.
- Olympus' disk scan system matches conventional confocal disk method performance to provide excellent cost efficiency.
- Using a 100X objective, depth of focus is shallow: 0.6µm.
- More natural image colors than those obtained with a conventional confocal module.
- Excellent performance at wide range of magnifications.
- Short depth intermediate attachment tube enables connection to both BX and MX series microscopes.
- Provides direct optical path for conventional brightfield, darkfield and DIC observations (the standard halogen bulb is used).

Specifications of U-CFU

| | |
|----------------------------|---|
| Type | Infinity-corrected optical intermediate attachment tube |
| Objectives | 5X - 150X |
| Field Number | 22 (Real field number 11mm) |
| Intermediate magnification | 2X |
| Optical path exchange | CF confocal/direct optical paths |
| CF mode exchange: | CF1: Priority on contrast (recommended objectives 10X -100X) CF2: Priority on brightness (recommended objectives 100X, 150X) |
| Confocal illumination | 100W mercury lamp |
| Power supply | AC adapter U-ACAD4515 (100-120V/220-240V ~ 0.4A/0.2A) |
| Dimensions & Weight | W288 X D330 X H130(mm) Approx. 5.4kg |

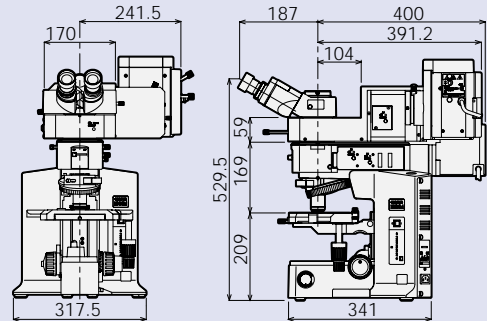
System diagram



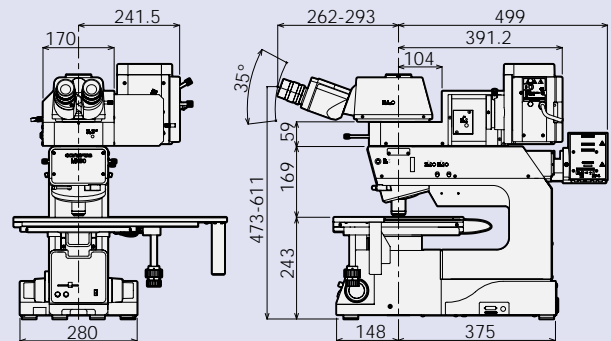
Dimensions

(Unit: mm)

BX51RF configuration



MX50 configuration



Specifications are subject to change without any obligation on the part of the manufacturer.



OLYMPUS

OLYMPUS OPTICAL CO., LTD.
San-Ei building, 22-2, Nishi Shinjuku 1-chome, Shinjuku-ku, Tokyo, Japan
OLYMPUS OPTICAL CO. (EUROPA) GMBH.
Postfach 10 49 08, 20034, Hamburg, Germany
OLYMPUS AMERICA INC.
2 Corporate Center Drive, Melville, NY 11747-3157, U.S.A.
OLYMPUS SINGAPORE PTE LTD.
491B River Valley Road, #12-01/04 Valley Point Office Tower, Singapore 248373
OLYMPUS OPTICAL CO. (U.K.) LTD.
2-8 Honduras Street, London EC1Y 0TX, United Kingdom.
OLYMPUS AUSTRALIA PTY. LTD.
31 Gilby Road, Mt. Waverley, VIC 3149, Melbourne, Australia.

OLYMPUS BUSINESS AREAS



www.olympus.com