

# OLYMPUS®

Olympus is about life. About photographic innovations that capture precious moments of life. About advanced medical technology that saves lives. About information- and industry-related products that make possible a better living. About adding to the richness and quality of life for everyone. Olympus. Quality products with a **FOCUS ON LIFE**

300mm Wafer  
Inspection Microscope

## MX50L

### 300mm Wafer Compatibility

UIS  
UNIVERSAL  
INFINITY SYSTEM



# The New Standard in 300mm Wafer Inspections

## Fully Covers 300mm Wafer Size

■The high performance of the Olympus MX50 which has become one of the standard models in the 200mm wafer processes is fully realized in 300mm wafer inspection microscope.

## 0.18 $\mu$ m Compatible

■Exclusive UIS Optics from Olympus, well accepted in the semiconductor field with their excellent resolution power and a high contrast image enable 0.25 $\mu$ m or less resolution. The MX50L is capable of the inspection of 0.18 $\mu$ m structures when the confocal unit is optionally selected.

■The rigid and stable frame easily holds heavy attachment such as confocal unit and ensures blur-free images even during ultra-high-magnification observation.

■The rounded shape in frame, the gears in the motorized nosepiece, the stage components and so forth have been thoroughly designed to prevent from contamination.

## Extremely Comfortable in Ergonomic Design

■Large-sized stage, MX-SIC1412 accommodating wafers in 300mm diameter integrates the clutch-style course/fine traveling switch. An operator can concentrate on inspection works.

■No guide rail is protruded to operator side not like a conventional large-sized stage due to the belt drive mechanism (patent pending).

■Most frequent operations are located on the front panel within finger-trip reach.

■The super wide field erected image tilting trinocular tube, U-SWETTR allows continuous tilt angle from 0° - 35° to adjust the eye point in any posture of an operator.

## Varied Options for Excellent Performance

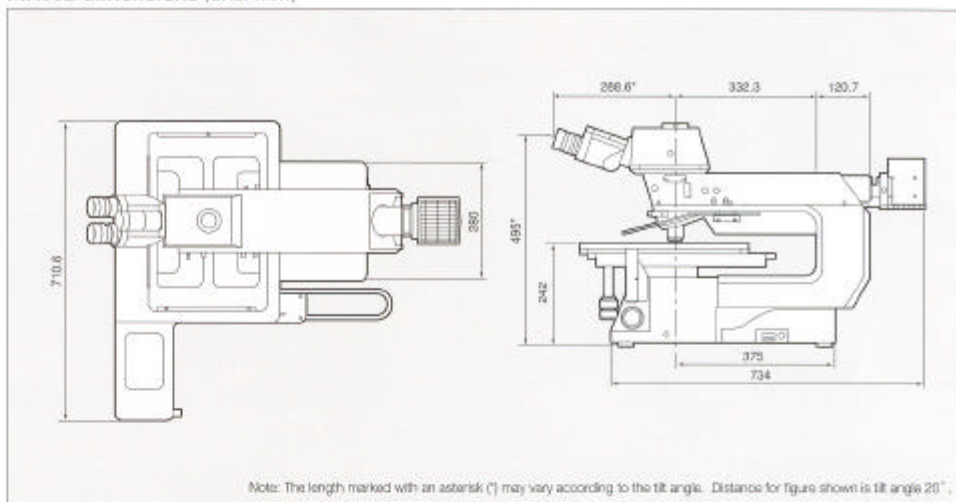
■The newly designed auto focus unit, MX-AF\* ensures to improve the efficiency in the inspection works.

■Almost all the MX50 accessories can be used for the MX50L. Note: \* = option

## MX50L specifications

Item		MX50L (Reflected model)
Microscope Stand	Frame	12" arm-integrated frame, Reflected light (12V100W), Built-in power supply for motorized nosepiece drive
	Focus	Coaxial coarse and the fine focus control, Vertical travel: 32mm (2mm up and 30mm down from focus position) Fine focus stroke per rotation: 0.1mm Minimum focus adjustment graduation: 1 $\mu$ m Sensitivity: 1 $\mu$ m or less
	Nosepiece	Motorized quintuple nosepiece for bright/dark field observation (adapter needed for brightfield objectives), Magnification changeable via front panel switch or directly selectable via remote control unit (U-HS)
Illumination		Bright/dark field switchable via slider (also usable for Nomarski DIC and polarized light observation), 12V100W Halogen bulb light source, Aperture diaphragm, Field diaphragm (with centering mechanism), Built-in pinhole slide
	Stage	14" x 12" Stroke : 355.6mm x 304.8mm, Roller guide slide mechanism, Belt drive system (no crack), Clutch-style stage handle
	Wafer holder	12" x 8" wafer holder
Observation tube		Super wide field erected image tilting (inclination 0° - 35°) trinocular tube
Objectives		UIS objectives
Eyepieces		UIS eyepieces
Photo lens		UIS photo lenses
Power consumption		200VA
Weight		Combined with MX-SIC1412, MX-WHPR128 and U-SWETTR: approx. 50 kg

## MX50L dimensions (unit: mm)

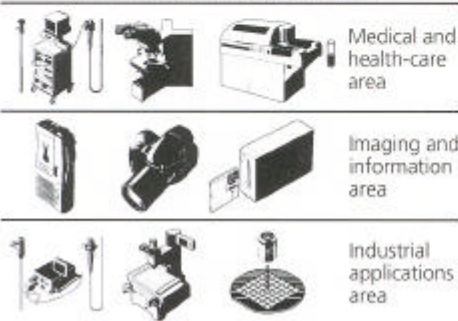


Web site addresses: <http://www.olympus.co.jp>  
<http://www.olympus.com>  
<http://www.olympus-europa.com>

Specifications are subject to change without any obligation on the part of the manufacturer.



## Olympus business areas



# OLYMPUS®

FOCUS ON LIFE

**OLYMPUS OPTICAL CO., LTD.**  
 2-43-2, Hatakeya, Shibuya-ku, Tokyo, Japan  
**OLYMPUS OPTICAL CO. (EUROPA) GMBH.**  
 Postfach 10 49 98, 20034, Hamburg, Germany  
**OLYMPUS AMERICA INC.**  
 2 Corporate Center Drive, Melville, NY 11747-3157, U.S.A.  
**OLYMPUS SINGAPORE PTE LTD.**  
 BLK 211 Henderson Road #13-03, Henderson Industrial Park, Singapore 159552, Singapore  
**OLYMPUS OPTICAL CO. (U.K.) LTD.**  
 2-9 Honduras Street, London EC1Y 0TX, United Kingdom  
**OLYMPUS AUSTRALIA PTY. LTD.**  
 Unit 4, 112-118 Talavera Road North Ryde, NSW2113, Australia